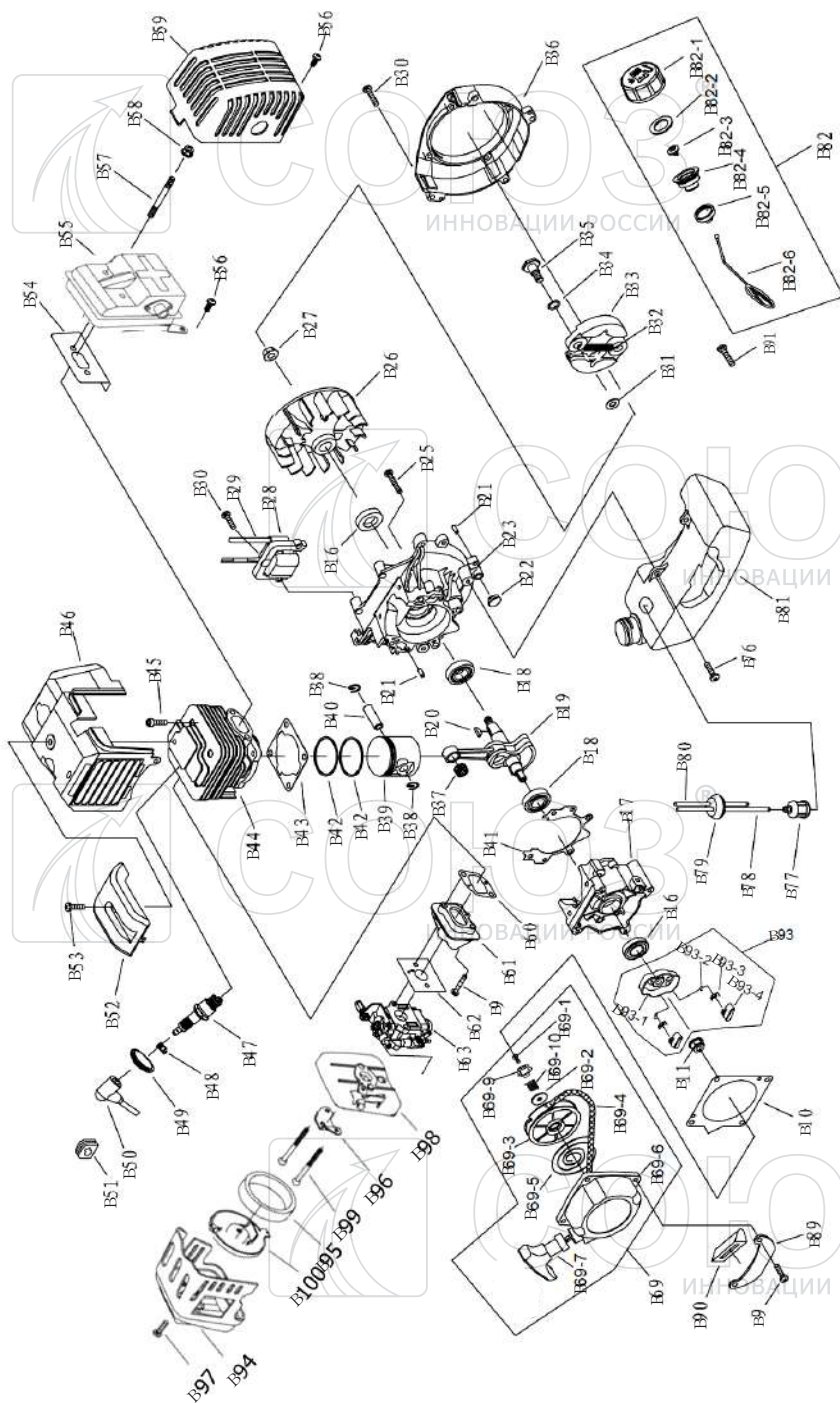


БТС-9233Л БТС-9243Л

NO.	DESCRIPTION	NO.	DESCRIPTION	NO.	DESCRIPTION
B1	GEAR CASE ASSY	B32	CLAMP	B61	HAND GRIP
B2	STOP RING	B33	SCREW M5X20	B62	SPRING
B3	STOP RING	B34	NUT M5	B63	BOX RIGHT
B4	BEARING 6000Z	B35	CLUTCH COMP	B64	SCREW ST2.9X18
B5	PINION	B36	CLUTCH DRUM COMP	B65	SCREW M5X30
B6	STEEL PLATE	B37	STOP RING	B66	CABLE COMP
B7	CAPSCREW M5X20	B38	BEARING 6202	B67	TUBE
B8	WASHER	B39	STOP RING	B68	STOP BUTTON COMP
B10	BOLT M6X12	B40	UNKER	B69	HAND GRIP
B11	WASHER	B41	RUBBER COVER	B70	SPRING
B12	GEAR CASE	B42	SCREW M5X20	B71	BOX LEFT
B13	BLADE COVER	B43	SCREW M5X12	B72	NYLON CUTTER HAND
B14	BEARING 6000Z	B44	STOP RING	B73	CASE
B15	GEAR	B46	CLAMP	B74	LEFT NUT
B16	SHAFT	B47	WIRE CLAMP BAND	B75	WASHER
B17	BEARING6002	B48	HARNESS ASSY	B76	SPRING
B18	STOP RING	B49	BOLT M5X25	B77	NYLON CORD
B19	HOLDER	B50	CAPLOWER	B78	CORD HOLDER
B20	HOLDER	B51	BRACKET	B79	PLATEN
B21	HOLDER	B52	HANDLE	B80	COVER
B24	3T BLADE	B53	GRIP LEFT	B83	SAFETY GUARD
B25	PIPE COMP	B54	CAP OPPER	B84	WASHER
B26	RUBBER COVER	B55	HANDLE	B85	SCREW M5X16
B27	OIL BEARING	B56	LEVER ASSY	B87	GUARD
B28	DRIVE SHAFT	B57	SCREW ST2.9X13	B88	BLADE
B29	PIPE	B58	BUTTON	B89	GUARD ASSY
B30	HOLDER ASSY	B59	SPRING		
B31	HARNESS CLAMP	B60	CLOCK PIN		

BTS-9233L BTS-9243L-EX-CTP20220831 VER3.1

СОЮЗ®
ИННОВАЦИИ РОССИИ



ENGINE FOR BTC-9233Л BTC-9243Л

NO.	DESCRIPTION	NO.	DESCRIPTION	NO.	DESCRIPTION
B9	SCREW M5X20	B44	CYLINDER	B76	SCREW M5X16
B10	GASKET	B45	SCREW	B77	CLEANER COVER
B11	NUT	B46	GUIDE COVER ASSY	B78	OUTLET FUEL PIPE
B16	OIL SEAL	B47	SPARK PLUG	B79	PLUG
B17	CRANK CASE	B48	SPRING	B80	INLET FUEL PIPE
B18	BEARING 6202	B49	PLUG COVER	B81	FUEL TANK
B19	CRANKSHAFT	B50	PLUG CAP	B82	LID ASSY
B20	KEY	B51	PLUG	B82-1	FUEL TANK LID
B21	PIN	B52	UPPER COVER	B82-2	GASKET
B22	RUBBER WASHER	B53	SCREW	B82-3	INLET
B23	CRANK CASE	B54	GASKET	B82-4	INSIDE COVER
B25	SCREW M5X30	B55	MUFFLER	B82-5	LID
B26	MAGNETO ROTOR COMP	B56	SCREW	B82-6	CHAIN
B27	NUT	B57	BOLT	B89	STAND
B28	IGNITION COLL COMP	B58	NUT	B90	RUBBER COVER
B29	CORD COMP	B59	MUFFLER COVER	B91	SCREW M5X20
B30	BOLT M5X20	B60	GASKET	B93	STARTER PULLEY ASSY
B31	WASHER	B61	ADMITTING PIPE	B93-1	STARTER REEL
B32	SPRING	B62	GASKET	B93-2	STOP RING
B33	EXPANDER	B63	CARBURETOR	B93-3	STARTER PAWL SPRING
B34	WASHER	B69	STARTER	B93-4	STARTER PAWL
B35	SCREW PIN	B69-1	SCREW	B94	AIRFILTER COVER
B36	FAN COVER	B69-2	WASHER	B95	AIR CLEANER
B37	BEARING 10X14X16	B69-3	START POPE REEL	B96	AIRFILTER COVER SEAT
B38	RING	B69-4	POPE	B97	SCREW
B39	PISTON	B69-5	RECOIL SPRING	B98	CHOKE SEAT ASSY
B40	PISTON PIN	B69-6	START COVER ASSY	B99	SCREW
B41	GASKET	B69-7	START HANDLE	B100	CIRCULAR COVER
B42	PISTON RING	B69-9	START RATCHET		
B43	GASKET	B69-10	EASY START COIL SPRING		

ИННОВАЦИИ РОССИИ BTS-9233L BTS-9243L-EX-CTP20220831 VER3.1



СОЮЗ
ИННОВАЦИИ РОССИИ